

Assignment – 3

Note: All the question should be done on LT Spice.

1. Given the circuit shown in Figure 1, find $i(t)$ for all $t > 0$. (5 Marks)

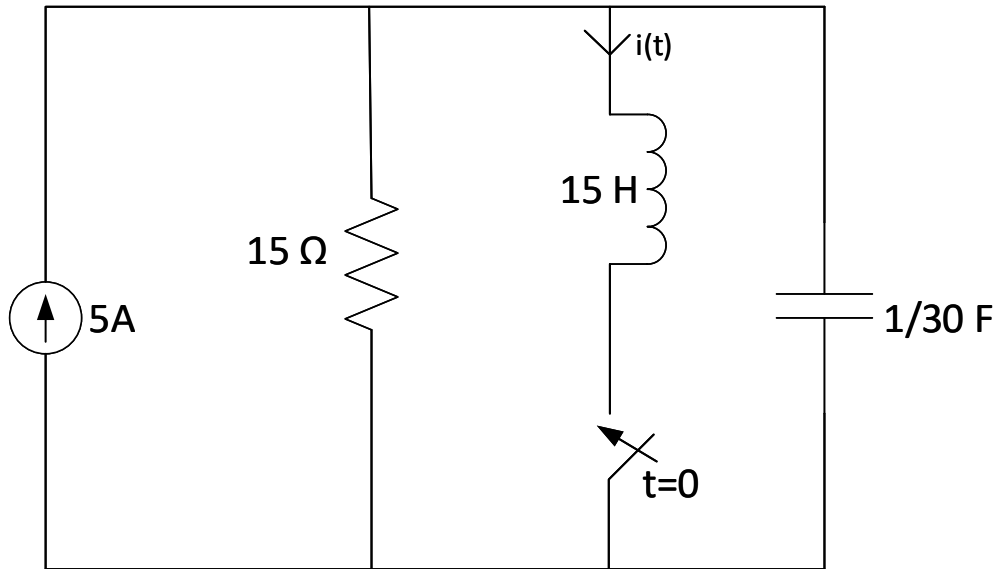


Figure 1

2. Given the circuit shown in Figure 2, find $V(t)$ for all $t > 0$. (10 marks)

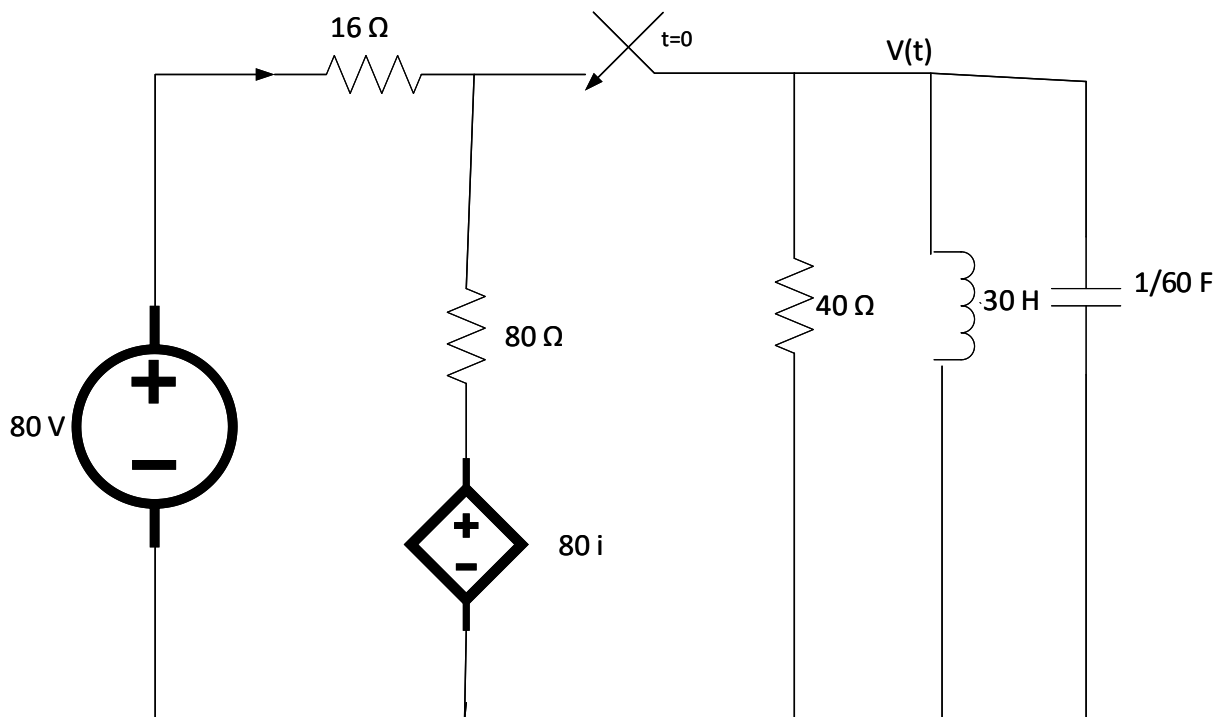


Figure 2

3. Given the circuit shown in Figure 3, find $V(t)$ for all $t > 0$. (5 marks)

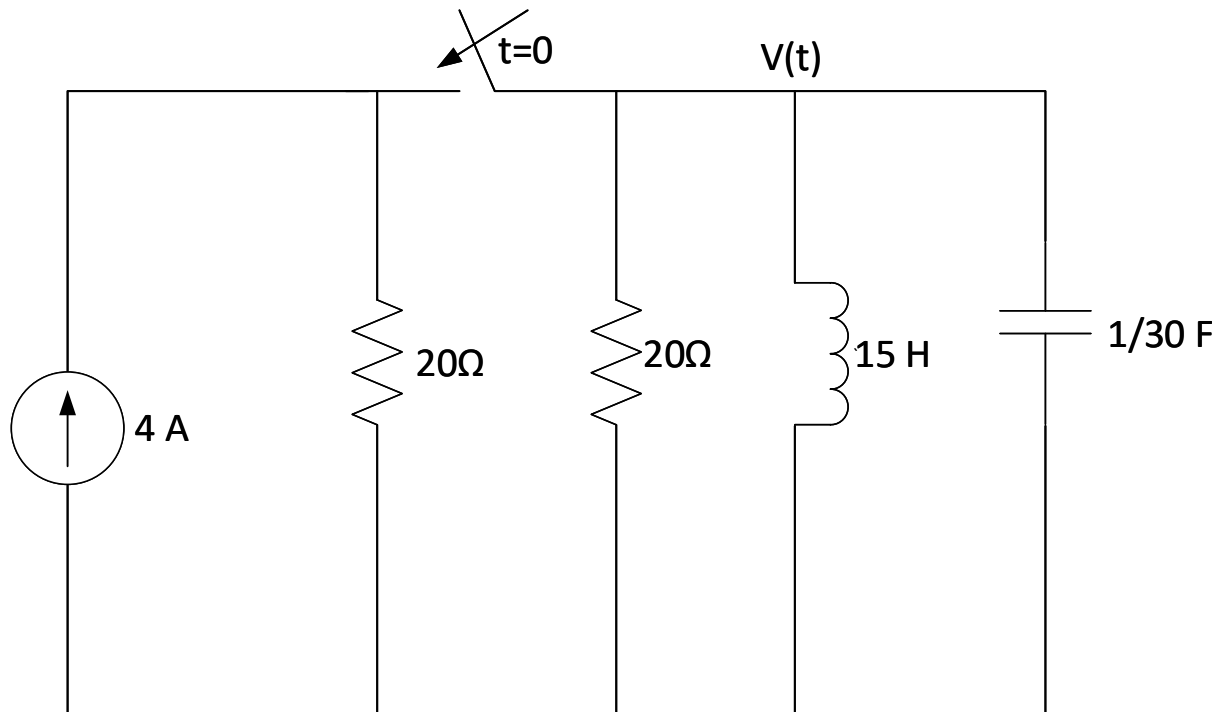


Figure 3

4. Given the circuit shown in Figure 4, find $V(t)$ and $i(t)$ for all $t > 0$. (10 marks)

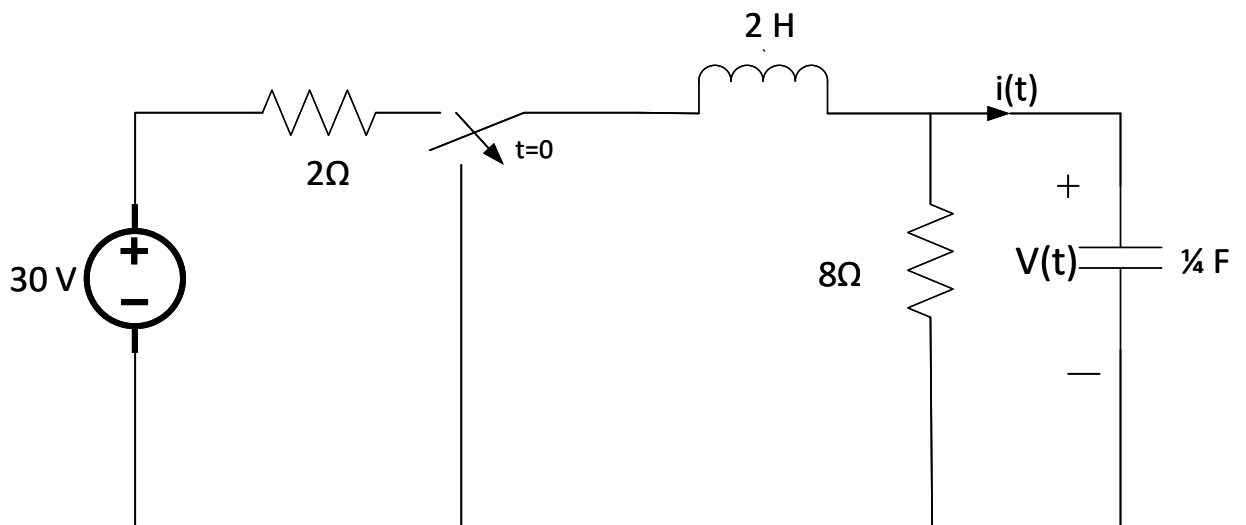


Figure 4