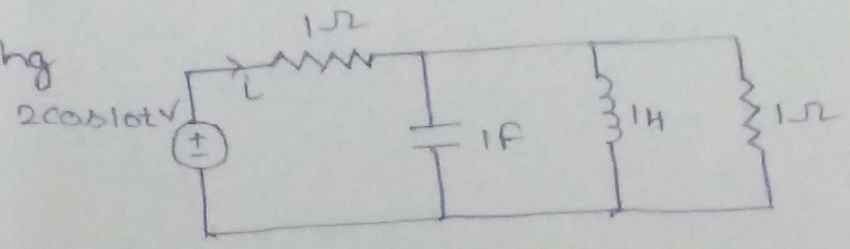
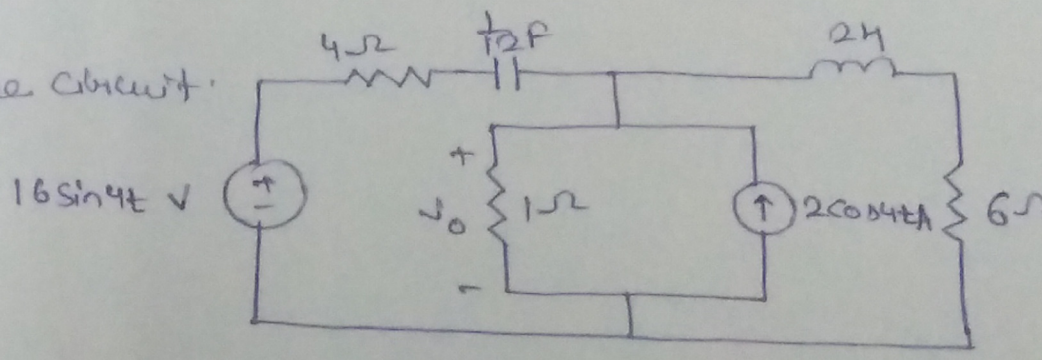


HA#5

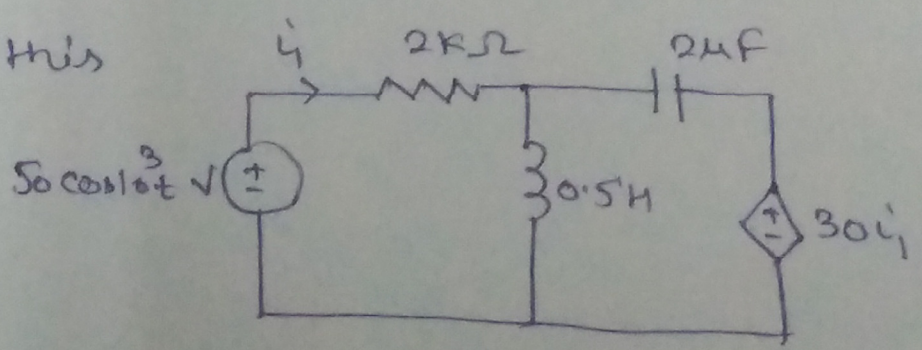
Q1: Find 'i' in the following circuit.  
 (manually + SPICE)  
 (5 + 5)



Q1-2  
 Determine 'Vo' in the circuit.  
 (manually + SPICE)  
 (5 + 5)



Q1-3  
 Determine 'i1' in this circuit.  
 (manually + SPICE)  
 (5 + 5)



Q1-(4)  
 Plot ~~Vo~~ Vo/i1 in frequency domain. Indicate the points of "half power bandwidth".  
 (LTSPICE)  
 (10)

