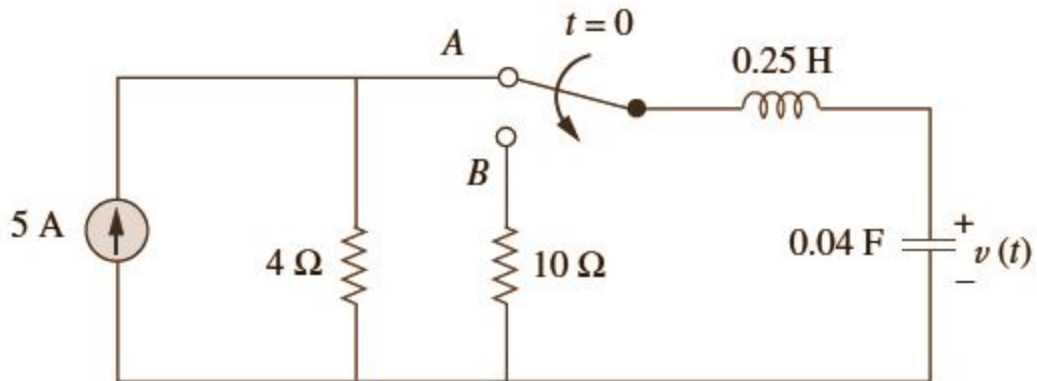
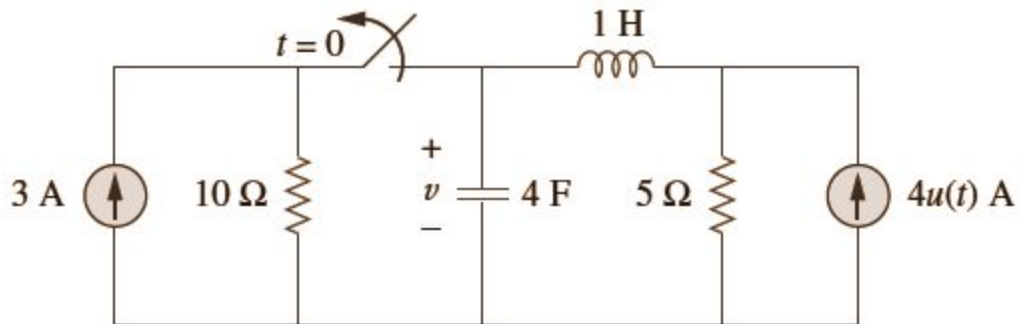


Lab Assignment-2

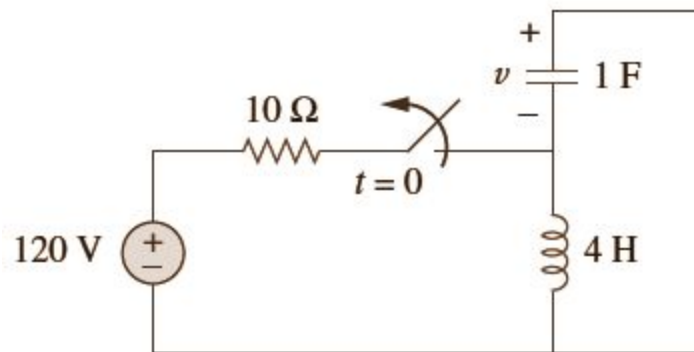
Ques. 1 In the following fig., the switch instantaneously moves from position A to B at $t=0$. Generate netlist for this set up. Plot $v(t)$ for $t \geq 0$ in LT-SPICE



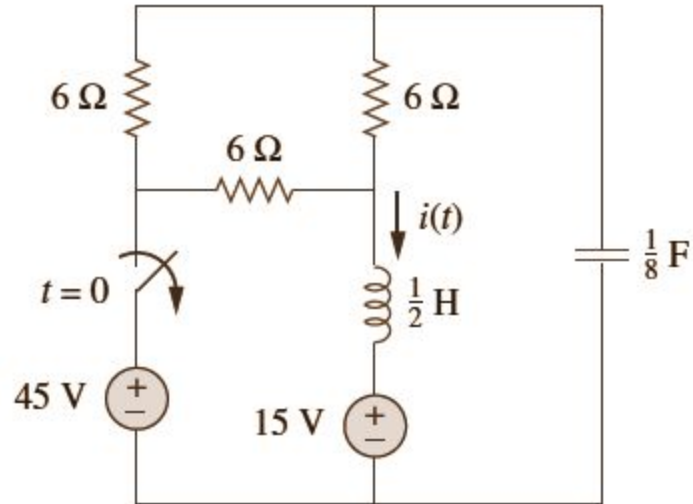
Ques 2. Plot $v(t)$ for $t > 0$ in LT-SPICE and solve it manually.



Ques 3. Plot $v(t)$ for $t >$ in LT-SPICE



Ques 4. Plot $i(t)$ for $t > 0$ in LT-SPICE and MATLAB. (Bonus Question)



Ques 5. Plot $v(t)$ for $t > 0$ in LT-SPICE and MATLAB. (Bonus Question)

